



# **AVENTO**

*relax chair collection*

# CONTENT

## Avento collection

The Haelvoet Avento collection fits seamlessly into a demanding hospital, care or rehabilitation environment.

<b>THE STORY</b>	<b>03</b>	<b>OPTIONS &amp; ACCESSORIES</b>	<b>18</b>
<b>MANUALLY ADJUSTABLE AVENTO</b>	<b>04</b>	<b>TECHNICAL DATA</b>	<b>22</b>
<b>ELECTRICALLY ADJUSTABLE AVENTO</b>	<b>10</b>	<b>MATERIALS &amp; FINISHING</b>	<b>23</b>
<b>AVENTO IN ACTION</b>	<b>16</b>		



## The Story

What if... anything is possible? Haelvoet offers the most complete range of high/low relax chairs on the market.

### EXTENSIVE RANGE

Discover our extensive range of Avento relax chairs. Our variety of models and designs meets the needs of every healthcare environment, prioritising comfort, ergonomics, and functionality.



### IN-HOUSE DEVELOPMENT PHILOSOPHY

Thanks to our in-house development and production, we can comply with different needs and wishes easily and flexibly. For example, the Avento relax chair is available with **different manual and electric relax systems**, with or without raising and sitting assist. A wide range of finishing possibilities and castors make it possible to fully personalise the relax chair.

*The Avento high/low relax chairs meet all care needs in demanding hospital, care, or rehabilitation environments.*

### COMFORT ABOVE ALL

Mobilising patients is of the utmost importance. That is why Haelvoet has equipped the relax chairs of its Avento collection with both **manually and electrically adjustable functions**. The height-adjustable settings make it easier for patients to get in and out of the relax chair and enable the nursing staff to work at an **ergonomic height**. Creating more self-reliance for those needing additional care and supporting caregivers remain our primary objectives.



### SUSTAINABILITY

Haelvoet strives for **circularity** and develops all its products in a modular way. By doing so, parts can be replaced easily, which in its turn extends the **product's lifespan**. Moreover, this **modularity** makes sure that the product can evolve with the user's needs and wishes.

(\*) Option

Haelvoet  
Edition 2025  
Haelvoet reserves the right to modify the product.  
Small colour deviations are possible.

# A. MANUALLY ADJUSTABLE AVENTO



**SYNCHRONOUS ADJUSTMENT**  
*Intuitive use*



**ASYNCHRONOUS ADJUSTMENT**  
*Individually adjustable*

## AVENTO HIGH/LOW ERGO-LINE

*Ref. 13590*

A relax chair should be accessible and intuitive to use. The Ergo-line relax mechanism simultaneously inclines the backrest, legrest, and seat. This can be easily adjusted by means of an ergonomic handle.

### *Synchronous movement*

- + Synchronous movement of backrest, legrest and seat
- + Intuitive adjustment from an upright sitting position to a zero-gravity relax position
- + Easy to adjust by means of one ergonomic handle

## AVENTO HIGH/LOW DUO-LINE

*Ref. 20321*

The individually adjustable mechanism makes it possible to adjust the legrest without having to adjust the backrest. This enables you to position your legs in a relaxed position to obtain a better blood circulation while still being seated upright.

### *Asynchronous movement*

- + Asynchronous adjustment of the backrest and the legrest
- + Optimal leg support thanks to the telescopic legrest
- + Easy to adjust by means of two ergonomic handles



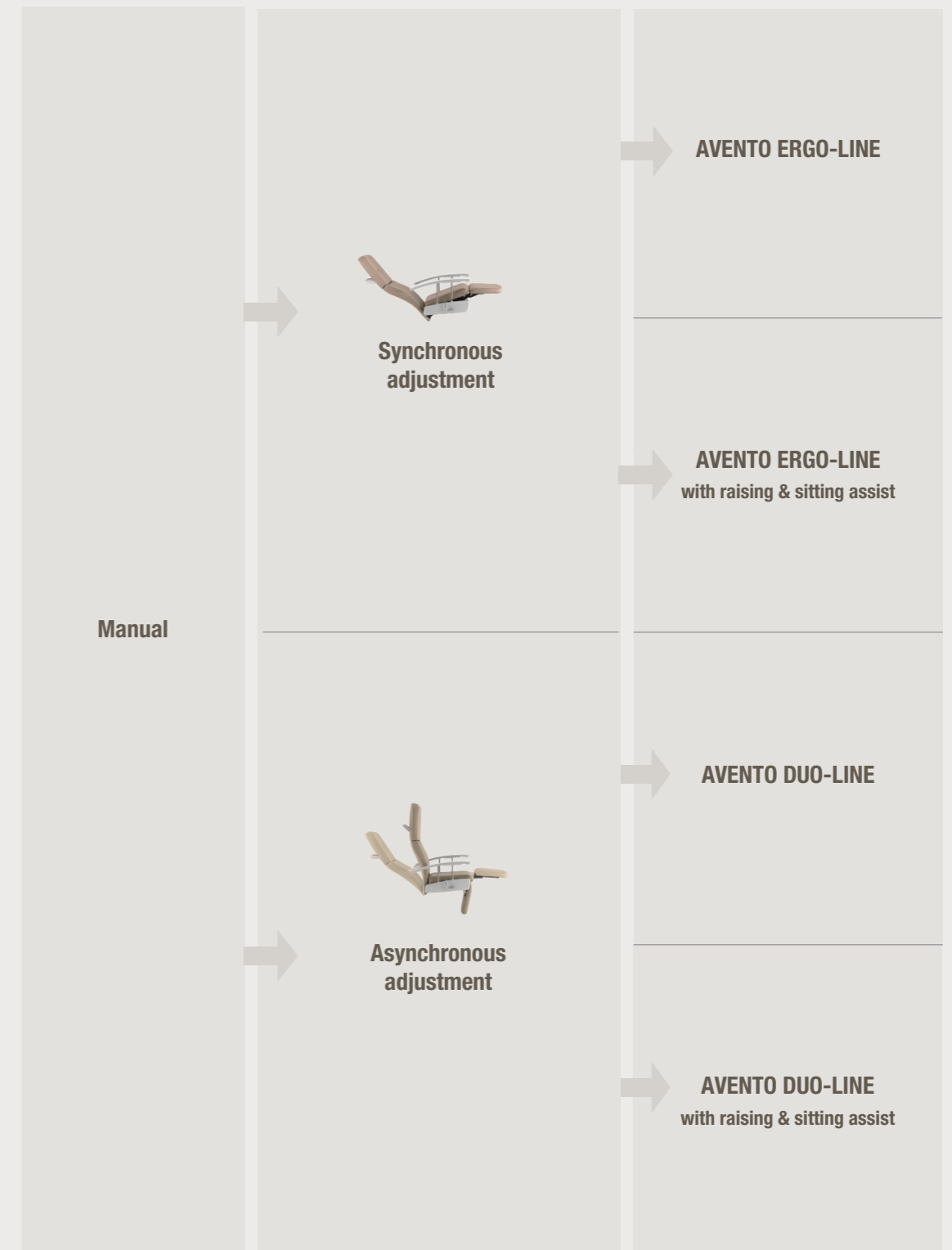
# MAKE IT YOURS

*Configure the relax chair in accordance with your wishes*

Thanks to the wide range of relax mechanisms, castors and finishing possibilities, the manually adjustable chair can be fully made in accordance with your needs and wishes.

## 1. RELAX MECHANISM

*Choose from the several relax mechanism types.*



## 2. RAISING & SITTING ASSIST



### RAISING & SITTING ASSIST

*Makes both sitting and getting up easier*

Both the Avento Ergo-line and Duo-line relax chair can be optionally equipped with a raising & sitting assist. The **supporting seat movement** offers additional **ergonomic support** while both getting up and getting seated.

## 3. CASTORS

*Depending on the intended purpose of the relax chair, different castor types are possible.*

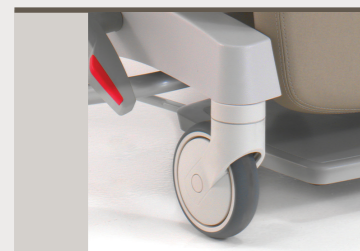
### INDIVIDUAL BRAKE



#### Castors Ø 100 mm (excl. footrest)

The individually braked castors make it possible to brake the four castors individually.

### CENTRAL BRAKE



#### Castors Ø 125 mm (incl. footrest) and cover

The centrally braked soft brake castors are ideal for multifunctional use. The brake pedals in the middle are also used to activate the two directional castors.



#### Twin castors Ø 125 mm (incl. footrest) and cover

The centrally braked soft brake twin castors offer an unprecedented versatility thanks to their extremely low rolling and swivel resistance. The brake pedals in the middle are also used to activate the two directional castors.

## 4. ARMRESTS

### LOWERABLE ARMRESTS

Lowerable in three positions. The lowest position is at the same height of the seat, making horizontal patient transfers easier than ever before.

Moreover, the armrests are standard equipped with a dinner tray attachment, making this relax chair not only comfortable but also practical and versatile when used.



## 5. HEIGHT ADJUSTMENT

*Thanks to its adjustable height, the Avento relax chair guarantees an excellent level of comfort and user-friendliness.*

Thanks to a hydraulic pump, the Avento Ergo-line and Duo-line can be adjusted in height between  $\pm 52$  and  $\pm 80$  cm (\*).

The high/low adjustment can be activated easily by means of a pedal on both sides of the relax chair.



Manual adjustment



(\*): This is the seat height adjustment on the Avento Ergo-line or Duo-line with a central brake. For an Avento relax chair with an individual brake, the seat height adjustment is between  $\pm 48$  and  $\pm 76$  cm.

## B. ELECTRICALLY ADJUSTABLE AVENTO



**ELECTRICALLY ADJUSTABLE**  
*Increased self-reliance*



**VERSATILE ALL-ROUNDER**  
*Multifunctional use*

### AVENTO E-MOVE

Ref. 16655

The Avento E-move is easy to operate by means of an intuitive handset that effortlessly puts the relax chair into the desired position. Its electric functions improve the patient's self-reliance. The relax chair can optionally be equipped with a Li-Ion battery.

*Electrically adjustable*

- + Ergonomic
- + Increased self-reliance
- + No power cable needed thanks to a Li-Ion battery (\*)

### AVENTO DAY-FLEX

Ref. 22000

A revolutionary compact relax chair with a great functionality thanks to its E-lift function, a horizontal examination position and a Trendelenburg position. This makes the Avento Day-flex a versatile relax chair with a wide range of applications: it is ideal for day hospitals and examination rooms. Moreover, it enhances the patient's mobilisation and assists patients needing more care.

*Comfort, ergonomics, and functionality*

- + E-lift function
- + Increased self-reliance
- + Horizontal examination position and Trendelenburg
- + No power cable needed thanks to the Li-Ion battery (\*)

(\*): Option

## ADDITIONAL ASSETS OF THE AVENTO DAY-FLEX

*The Avento Day-flex offers a versatile seating solution that combines the best features of a hospital bed and a relax chair.*

### FIVE PRE-PROGRAMMED FUNCTIONS AND ONE CUSTOMISABLE FUNCTION

In addition to the separate adjustment of height, inclination, backrest, seat, and legrest, the relax chair can be quickly and easily put into **several pre-programmed positions**, such as the seating position, 'zero gravity' relax position, horizontal examination position, E-lift position, and the Trendelenburg position.

Furthermore, a **personal preference position** can be saved to quickly reactivate a fixed position.



**Horizontal examination position**

Put the relax chair without any effort into a horizontal position to perform patient examinations easily.



**E-lift function**

Makes it easier to sit down or get up and increases the patient's self-reliance.



**Trendelenburg function**

Use this function for quick and crucial positioning of the patient in the Trendelenburg position.

### INTEGRATED SAFETY FUNCTIONS

The Avento Day-flex is standard equipped with a **brake buzzer** that emits a clear signal when the relax chair brakes are not activated and the mains cable is still plugged in.

Moreover, the relax chair can only be operated when the central brake is activated. This prevents unsafe situations, especially during the E-lift movement. The central brake is activated effortlessly by means of side pedals that are equipped with a **soft brake system**.

Intuitive software prevents non-ergonomic positions during its use.



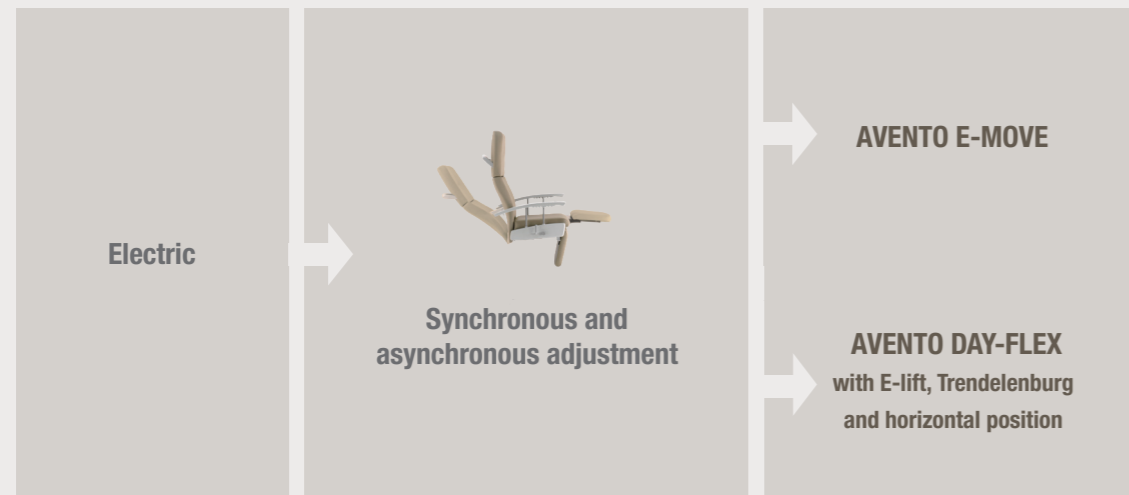
## MAKE IT YOURS

*Configure the relax chair in accordance with your wishes*

Thanks to the wide range of relax mechanisms, castors and finishing possibilities, the manually adjustable chair can be fully made in accordance with your needs and wishes.

# 1. RELAXMECHANISM

Choose from the different types of relax mechanisms.



# 2. CASTORS

Depending on the intended purpose, different castor types are possible.

## CENTRAL BRAKE

	<p><b>Castors Ø 125 mm (incl. footrest) and cover</b></p> <p>The centrally braked soft brake castors are ideal for multifunctional use. The brake pedals in the middle are also used to activate the two directional castors.</p>
	<p><b>Twin castors Ø 125 mm (incl. footrest) and cover</b></p> <p>The centrally braked soft brake twin castors offer an unprecedented versatility thanks to their extremely low rolling and swivel resistance. The brake pedals in the middle are also used to activate the two directional castors.</p>

# 3. LOWERABLE ARMRESTS

## LOWERABLE ARMRESTS

Lowerable in three positions. The lowest position is at the same height of the seat, making **horizontal patient transfer** easier than ever before.

Moreover, the armrests are standard equipped with a dinner tray attachment, making this relax chair not only comfortable but also practical and versatile when used.

## FIXED UPHOLSTERED ARMRESTS

The upholstered armrests are only available as an option for the **Avento Day-flex**. They can be purchased **without cover** or with a **synthetic cover**.



Avento Day-flex with upholstered armrests and synthetic cover

# 4. HEIGHT ADJUSTMENT

Thanks to their adjustable height, the electric Avento relax chairs provide an excellent level of comfort and user-friendliness.

## AVENTO E-MOVE

The seat height of the Avento E-move relax chair is electrically adjustable between **± 53 and ± 77 cm** by means of a handset.

This version is optionally available with a Li-Ion battery (1.8 Ah) for even greater autonomy and flexibility.



Handset Avento E-move

## AVENTO DAY-FLEX

The Avento Day-flex can be adjusted in height between **± 50 and ± 80 cm** by means of a highly intuitive handset. The powerful battery (4 Ah) (\*) guarantees several days of use without needing a cable.

The relax chair can also be optionally equipped with a foot pedal for hands-free height adjustment.

Moreover, the Avento Day-flex features a **soft start and stop function**, ensuring smooth operation without sudden jolts, which enhances patient comfort.



Handset Avento Day-flex

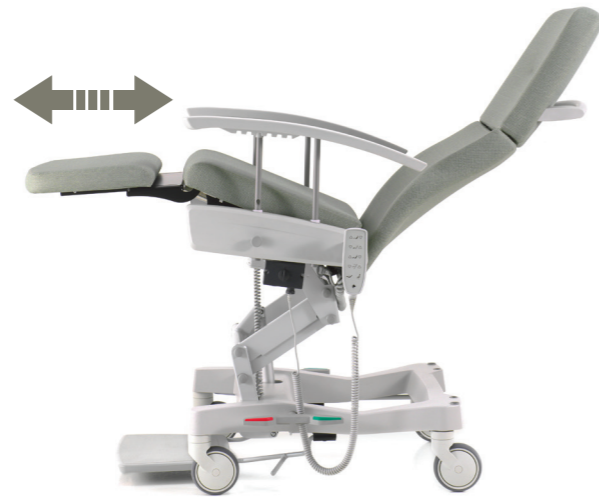
(\*): Option

# AVENTO

## in action

### TELESCOPIC LEGREST

With the Avento Duo-line, E-move, and Day-flex relax chairs, **the legrest extends by 70 mm** during inclination. Thanks to this function, the legs are optimally supported. It also eliminates wrinkles near or in the hollow of the knee that could further develop into decubitus.



### SAFE WORKING LOAD

The safe working load of the Avento Ergo-line, Duo-line and E-move relax chairs is **150 kg**. The Avento Day-flex has a safe working load of **200 kg**.



### E-LIFT FUNCTION

The E-lift function on the Avento Day-flex chair provides optimal user support when completely getting up from a seated position and vice versa. Thanks to this advanced feature, **getting up and sitting down** become significantly easier. The chair is especially suitable for patients who require additional support when getting up.



### REMOVABLE SEAT

The seat of all Avento chairs is **easily removable** without needing tools, which makes it easy to properly clean it. This also makes it possible to replace a standard seat quickly with an anti-decubitus seat, consisting of **40 mm visco-elastic foam** (\*) or an active anti-decubitus seat (available as from the autumn of 2025).

### RAISING & SITTING ASSIST

Both the Avento Ergo-line and Duo-line chair can be optionally equipped with a raising & sitting assist. The supporting and ergonomic seat movement makes **both getting up and sitting down easier**.



### AVENTO E-MOVE

The backrest, legrest and height adjustments of the Avento E-move can be easily activated electrically by means of an **intuitive handset**, either separately or synchronously.



High/low adjustment



Into sitting position and lowest seat height



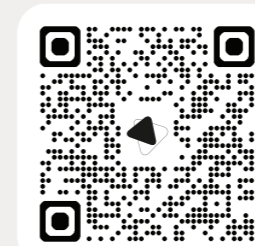
Into relax position and highest seat height

An optional **Li-Ion battery** (\*) makes sure that the electric chair can work autonomously, so that it can be easily used anywhere without needing electricity nearby. The Avento E-move is equipped with a **1,8 Ah** battery, whereas the Avento Day-flex has a powerful **4 Ah** battery. These specifications ensure optimal performance for both models.

It is possible to provide a holder for the handset on the right side of the chair (optionally on both sides). A flexible handset holder (\*) is also available for the Avento E-move.

### CENTRAL BRAKE

The chair is highly manoeuvrable and mobile thanks to its **Ø 125 mm** castors and central brake system, which **simultaneously brakes** all four castors. The brake pedals are easily accessible thanks to their central position and also activate the two front directional castors.



Watch a demo video of the Avento E-move here









Watch demo video of the Avento Day-flex here

(\*): Option

# Options and accessories

Several accessories make the Avento chair complete.

	AVENTO ERGO-LINE AND DUO-LINE	AVENTO E-MOVE	AVENTO DAY-FLEX
<b>Options and accessories</b>			
 Removable headrest	○	○	○
 Neck cushion + provision	○	○	○
 Lateral headrests	○	○	○
 Restraint bracket	○	○	○
 Accessory holder	○	○	○
 Elice dinner tray	○	○	○
 Abduction block (*)	○	○	○

(\*) This option is only available with the Elice dinner tray.




○ : Possible    ✕ : Not possible

	AVENTO ERGO-LINE AND DUO-LINE	AVENTO E-MOVE	AVENTO DAY-FLEX
--	-------------------------------	---------------	-----------------

<b>Options and accessories</b>			
 Document holder (*)	○	○	○
 Paper roll holder (*)	○	○	○
 Visco-elastic seat	○	○	○
 Active anti-decubitus seat (available as from the autumn of 2025)	○	○	○
 Blood transfusion armrest I	○	○	○
 Blood transfusion armrest II	○	○	○
 Blood transfusion armrest III	○	○	○
 DIN rail	○	○	○
 Accessory hooks	○	○	○

(\*) This option is only available in combination with the accessory holder.

○ : Possible    ✕ : Not possible

		AVENTO ERGO-LINE AND DUO-LINE	AVENTO E-MOVE	AVENTO DAY-FLEX
<b>Options and accessories</b>				
	Head wash unit (*)	○	○	○
	Locking of activation	○	×	×
	ACL lock	×	○	×
	Oxygen bottle holder	○	○	○
	Case for IV rod Ø 19 or 32 mm	○	○	○(**)
	IV rod Ø 19 or 32 mm (straight or bent)	○	○	○(**)
	Adjustable IV rod Ø 32 mm (straight or bent)	○	○	○
	Anatomical reduction cushion	○	○	○
	Legrest reduction cushion	○	○	○

(\*) This option is only available in combination with the removable headrest.

(\*\*) Only IV rod Ø 19 mm bent is possible

○ : Possible    × : Not possible

		AVENTO ERGO-LINE AND DUO-LINE	AVENTO E-MOVE	AVENTO DAY-FLEX
<b>Options and accessories</b>				
	Synthetic protective cover legrest	○	○	○
	Flexible handset holder	×	○	×
	High/low pedal	×	×	○
	Suspension hook on armrest for hand switch	×	×	○
	USB network gate	×	×	○
	DIN rail on backrest (left and right)	×	×	○
	Personal tray with optional stainless steel plate	×	×	○

○ : Possible    × : Not possible

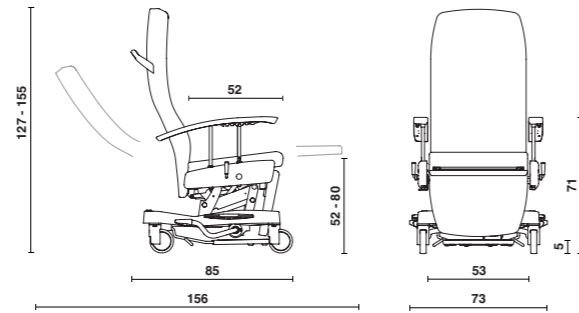
## Technical data

The technical specifications of Avento meet the needs of the user for an optimal experience.

### AVENTO ERGO-LINE & DUO-LINE

Metal high/low relax chair:

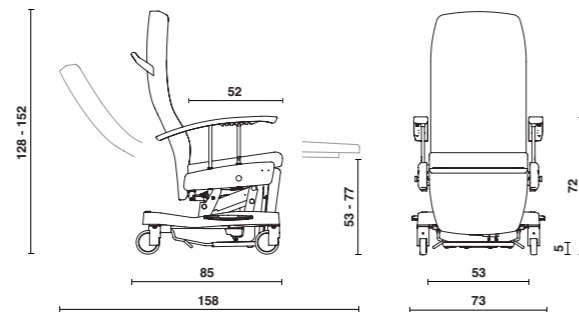
- W 73 x D 85-156 x H 127-155 cm
- Seat height: 52 - 80 cm
- Seat depth: 52 cm
- Seat width: 53 cm
- Armrest height: 71-52 cm
- Safe working load: 150 kg



### AVENTO E-MOVE

Metal high/low relax chair:

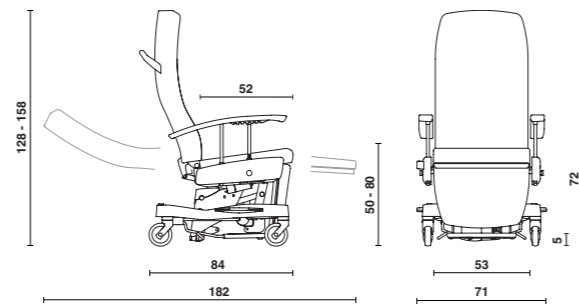
- W 73 x D 85-158 x H 128-152 cm
- Seat height: 53 - 77 cm
- Seat depth: 52 cm
- Seat width: 53 cm
- Armrest height: 72 - 53 cm
- Safe working load: 150 kg



### AVENTO DAY-FLEX

Metal high/low relax chair:

- W 71 x D 84-182 x H 128-158 cm
- Seat height: 50 - 80 cm
- Seat depth: 52 cm
- Seat width: 53 cm
- Armrest height: 72 - 50 cm
- Safe working load: 200 kg



Haelvoet makes sure that its excellent price-quality ratio is not at the expense of the environment. Our company considers durability - in all possible meanings - of paramount importance. All our products have a long lifespan and are delivered with a 15-year-guarantee on construction errors.

The Avento chairs are made in accordance with ISO 9001:2015 and ISO 13485:2016, and comply with all essential health and safety requirements and other applicable European harmonised norms:

EN 16139 Furniture - Strength, durability and safety - Requirements for non-domestic seating.

EN 1728 Furniture - Seating - Test methods for the determination of strength and durability.

EN ISO 14971 Medical devices - Application of risk management to medical devices.

The Avento E-move and Day-flex chairs comply with the European Medical Device Regulation EU 2017/745, and all other applicable European norms:

EN 60601-1 Medical electrical equipment - Part 1: General requirements for basic safety and essential performance.

EN 60601-1-2 Medical electrical equipment - Part 1-2: General requirements for safety and essential performance - Secondary norm: Electromagnetic compatibility - Requirements and tests.

## Materials and finishing

Thanks to the ample choice in colours, the Avento chair can be fully integrated in your interior.

### Haelvoet Home Collection imitation leather



Optional: choice from different price categories.

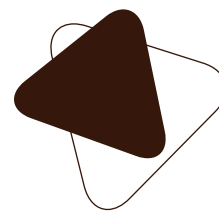
### Upholstery possibilities

The Haelvoet Home collection offers 12 carefully selected colours for imitation leather. If needed, customer-specific solutions are possible for the total decoration of your care environment. All of our upholstery possibilities meet the specific demands of the care sector.

### FIRE-RETARDANT Foam and upholstery



The quality foam of the Haelvoet products is **standard fire-retardant to the very core**, just like our wide range of imitation leather. Min. class: M2 (NFP 92.503) or BS5852 + CRIB 5. The foam and upholstery comply with EN1021-1 and EN1022-2. Choosing a Haelvoet product is choosing a safe product.



Haelvoet nv | **Belgium**  
Leon Bekaertstraat 8  
B-8770 Ingelmunster  
T +32 (0) 51 48 66 95

[info@haelvoet.be](mailto:info@haelvoet.be)  
[www.haelvoet.be](http://www.haelvoet.be)

Haelvoet bv | **The Netherlands**  
Schimminck 1  
5301 KR Zaltbommel  
T +31 (0) 88 599 05 99  
F +31 (0) 88 599 05 00

[info@haelvoet.nl](mailto:info@haelvoet.nl)  
[www.haelvoet.nl](http://www.haelvoet.nl)

Haelvoet sarl | **France**  
130, Boulevard de la Liberté  
59000 Lille  
T +33 (0) 3 20 02 71 71  
F +33 (0) 3 20 88 18 91

[info@haelvoet.fr](mailto:info@haelvoet.fr)  
[www.haelvoet.fr](http://www.haelvoet.fr)

Haelvoet sa | **Switzerland**  
Route de la Plaine 45  
1580 Avenches  
T +41 (0) 26 675 46 86

[info@haelvoet.ch](mailto:info@haelvoet.ch)  
[www.haelvoet.ch](http://www.haelvoet.ch)

Haelvoet srl | **Romania**  
Parcul Industrial Jibou 1  
455200 Jibou, Salaj  
T +40 (0) 260 64 22 33  
F +40 (0) 260 64 22 55

[info@haelvoet.ro](mailto:info@haelvoet.ro)  
[www.haelvoet.ro](http://www.haelvoet.ro)